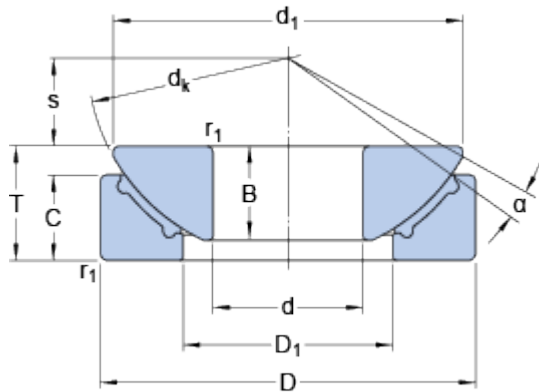


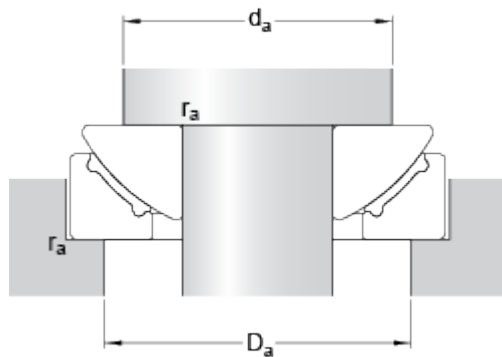
# GX 20 F

## Dimensions



d		20	mm
D		55	mm
T		20	mm
$\alpha$		5	°
$d_k$		60	mm
$d_1$		50	mm
$D_1$		31	mm
B		14.5	mm
C		13.8	mm
$r_1$	min.	1	mm
s		12.5	mm

## Abutment dimensions



$d_a$	min.	40	mm
$D_a$	max.	44	mm
$r_a$	max.	1	mm

## Calculation data

Basic dynamic load rating	C	46.5	kN
Basic static load rating	$C_0$	73.5	kN
Specific dynamic load factor	K	50	N/mm <sup>2</sup>
Specific static load factor	$K_0$	80	N/mm <sup>2</sup>
Material constant	$K_M$	670	

## Mass

Mass plain bearing	0.25	kg
--------------------	------	----